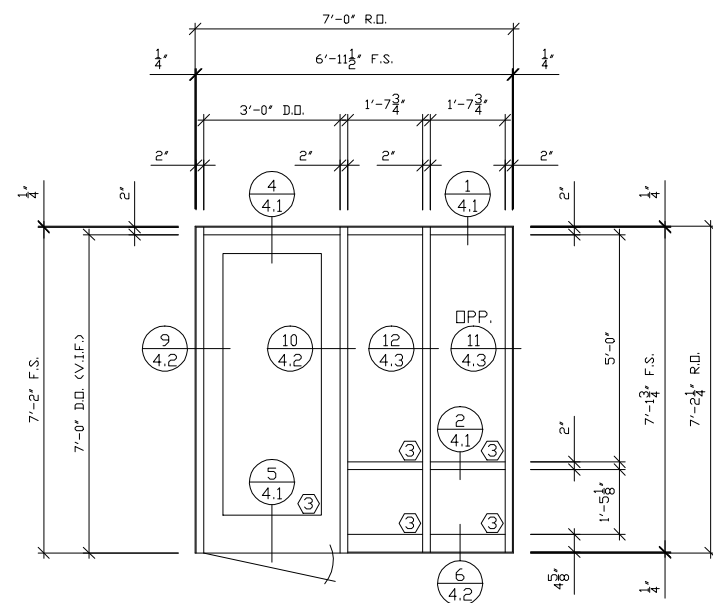
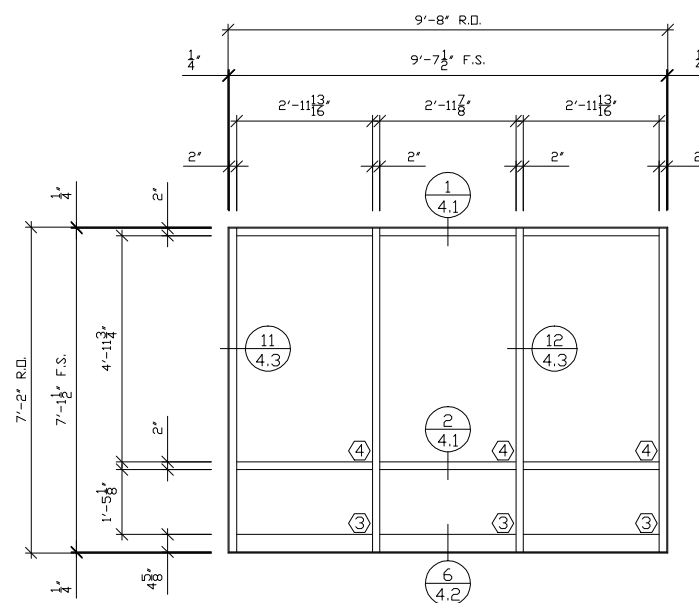


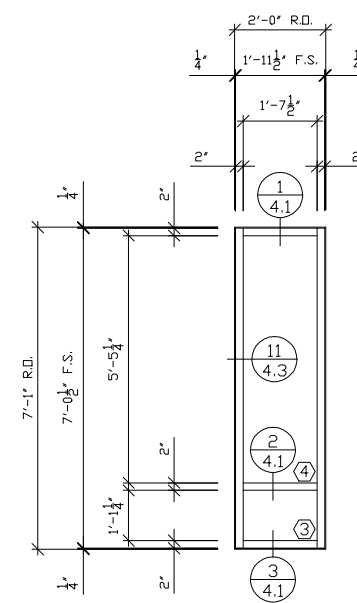
YOUR CO. NAME
YOUR ADDRESS



Type "2" Elev.
Door: 100A
1 REQ'D
VG 451T SERIES FRAMING



Type "3" Elev.
1 REQ'D
VG 451T SERIES FRAMING

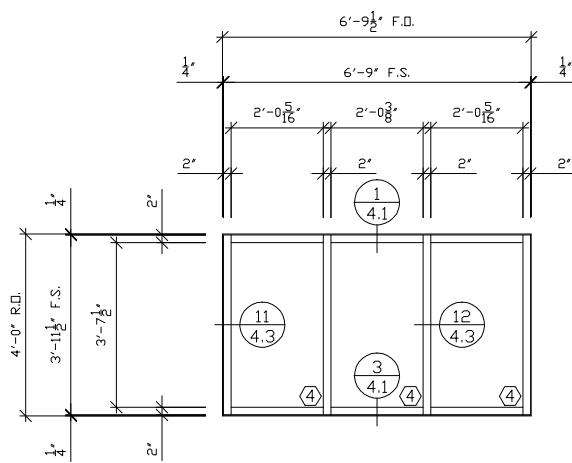


Type "4" Elev.
8 REQ'D
VG 451T SERIES FRAMING

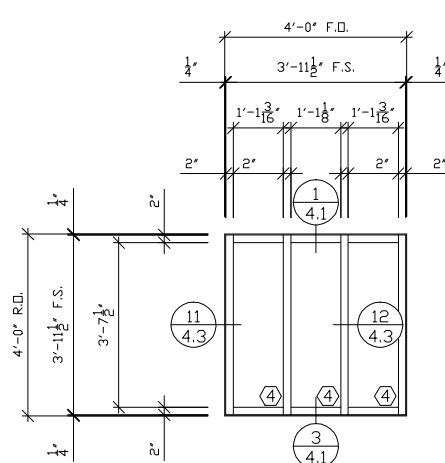
NOTE: All Dimensions
Are To Be Field Verified.

GLASS:

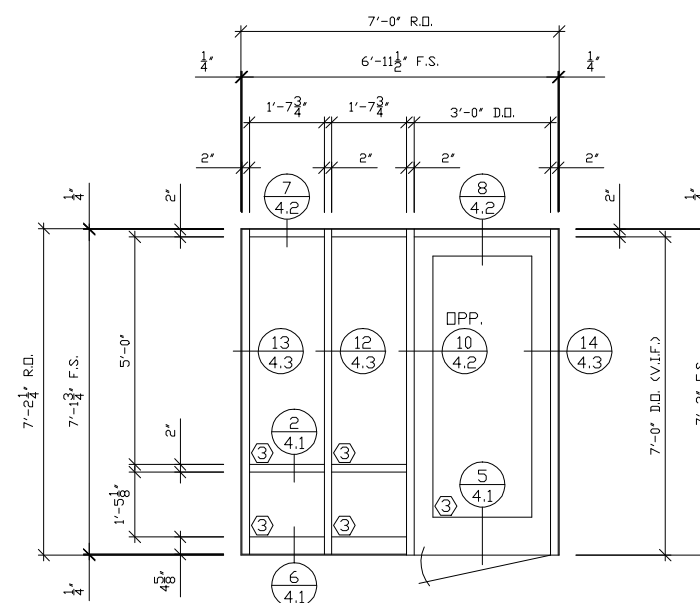
- ③ GL-3 - 1' INSULATED CLEAR TEMPERED w/LDW-E #3
- ④ GL-4 - 1' INSULATED CLEAR ANNEALED w/LDW-E #3



Type "5" Elev.
4 REQ'D
VG 451T SERIES FRAMING



Type "6" Elev.
8 REQ'D
VG 451T SERIES FRAMING



Type "2A" Elev.
Door: 100B
1 REQ'D
VG 451T SERIES FRAMING

PROJECT:

ARCHITECT:

GEN. CONT.:

R & A DWG NO:
071450

Rev#	Date	Remarks

DETAILS
SCALE: FULL SHEET:
DATE: 10/11/07 SHEET: 3.1
DRAWN BY: RTP