

YOUR CO. NAME
 YOUR ADDRESS

PROJECT:

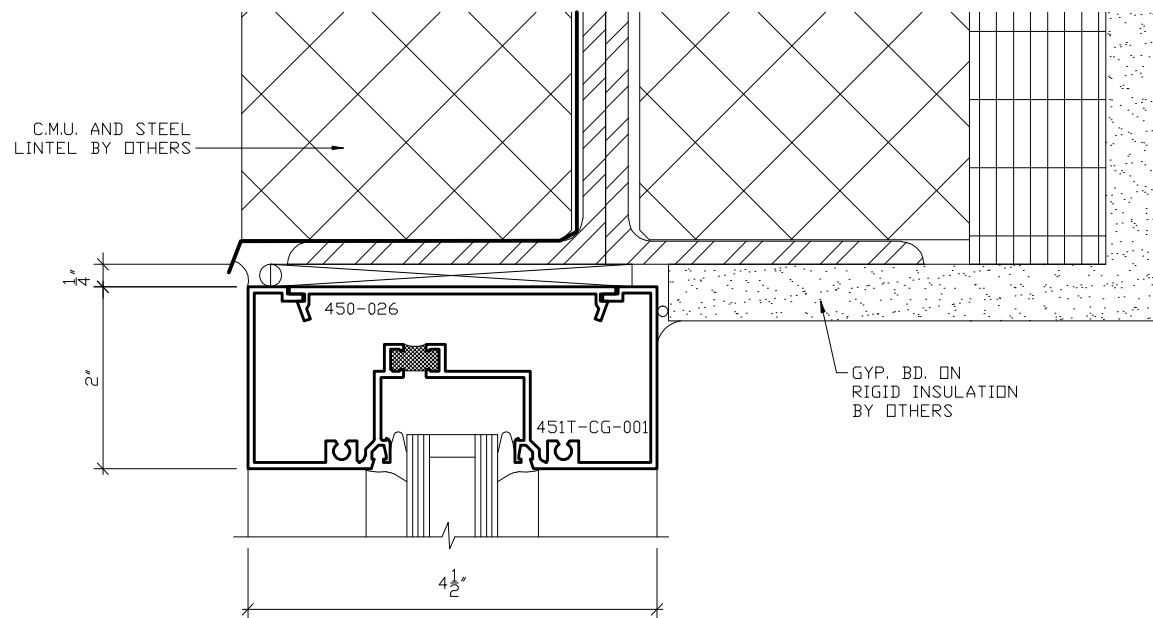
ARCHITECT:

GEN. CONT.:

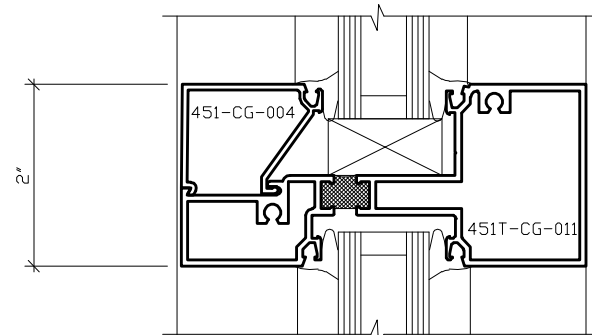
R & A DWG NO:
071450

Rev	Date	Remarks

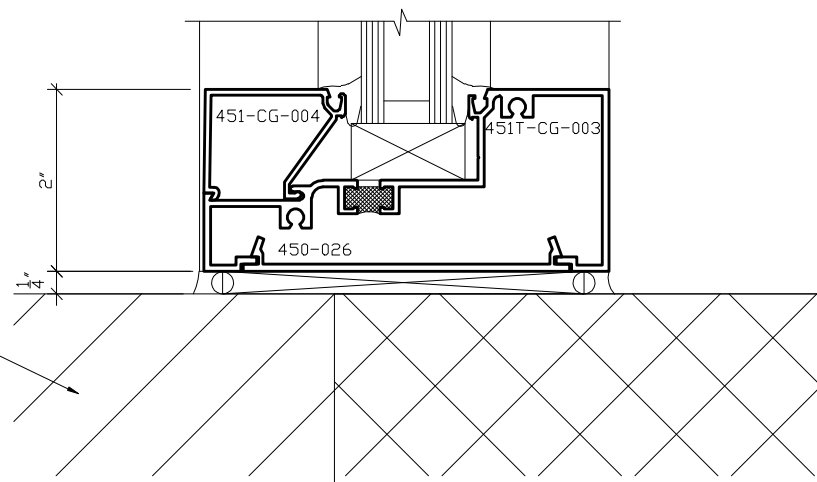
DETAILS
 SCALE: FULL SHEET:
 DATE: 10/11/07 SHEET:
 DRAWN BY: RFP 4.1



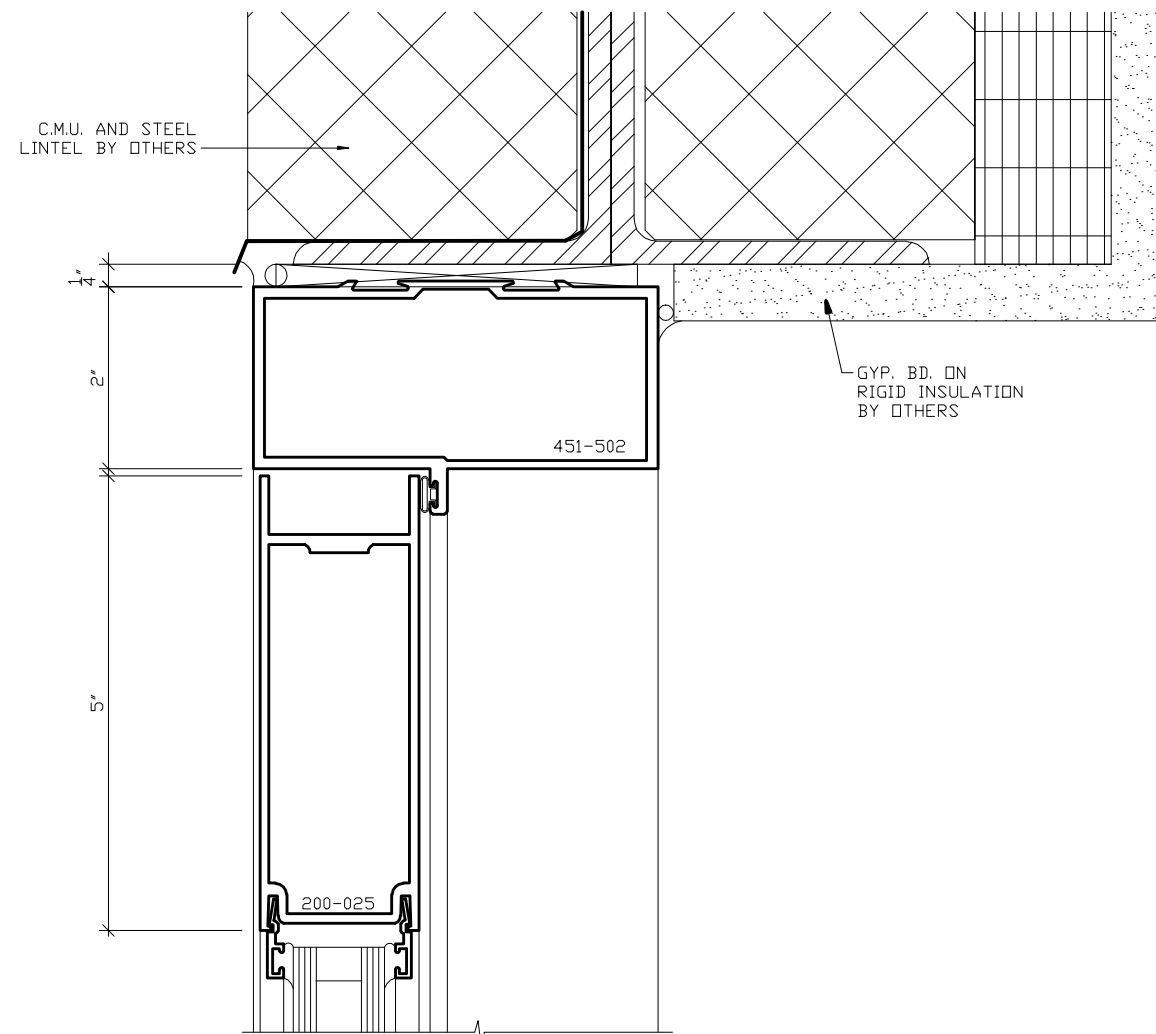
1 Head Det.



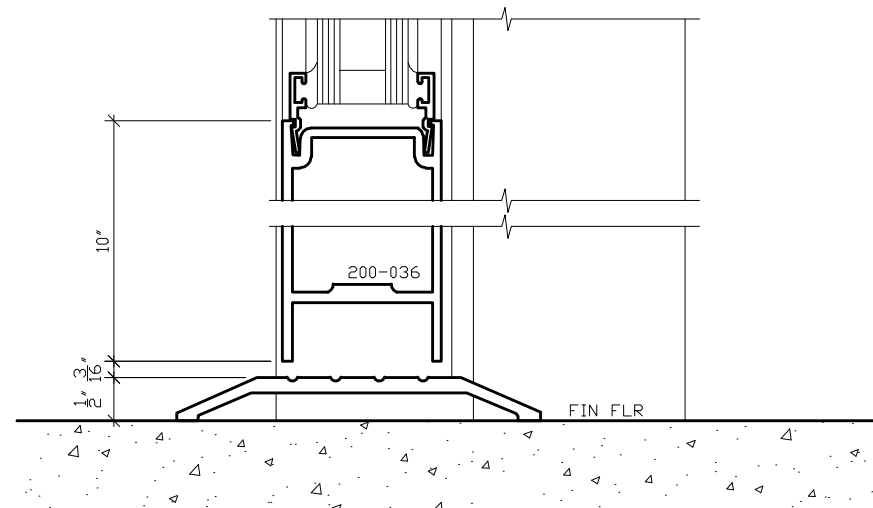
2 Horiz. Det.



3 Sill Det.



4 Top Door Rail Det.



5 Bottom Rail Det.