

YOUR CO. NAME
 YOUR ADDRESS

PROJECT:

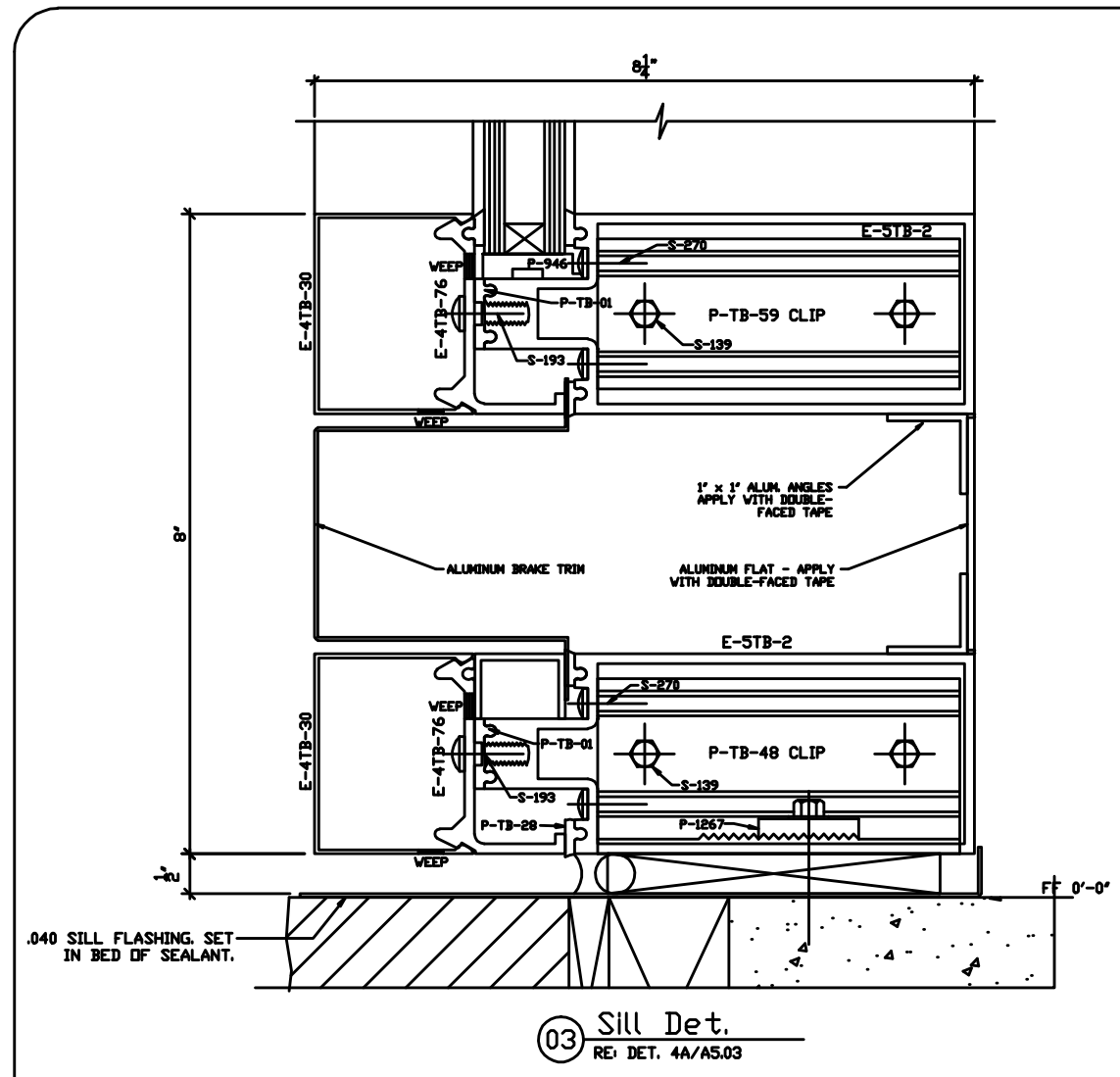
DESIGNERS/BUILDERS:

DEVELOPER:

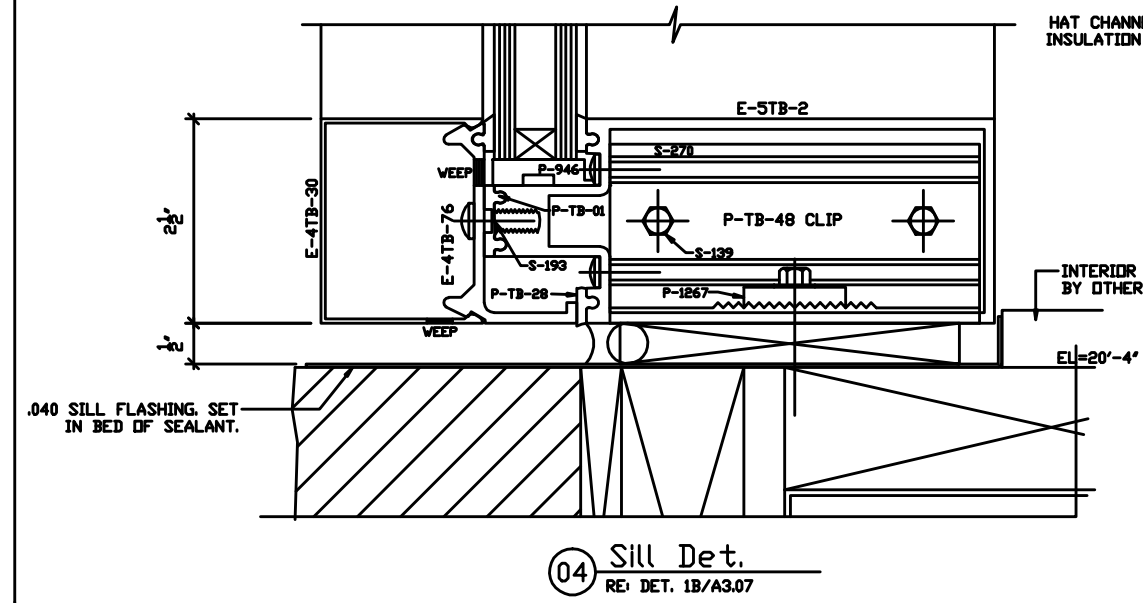
R & A DWG NO:
071456

Rev#	Date	Remarks

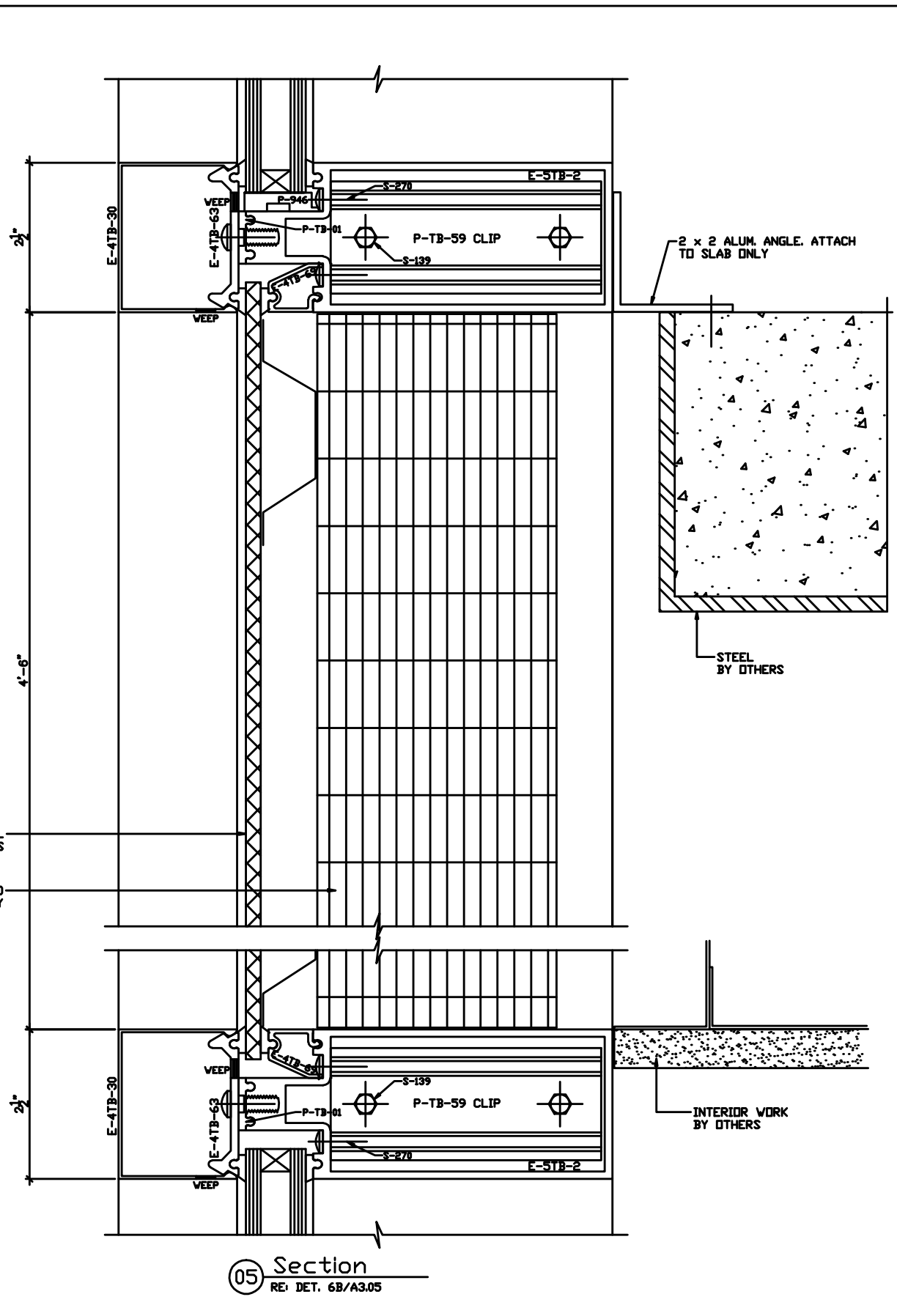
DETAILS
 SCALE: FULL SHEET:
 DATE: 10/11/07 5.2
 DRAWN BY:
 RTP



03 Sill Det.
 RE: DET. 4A/A5.03



04 Sill Det.
 RE: DET. 1B/A3.07



05 Section
 RE: DET. 6B/A3.05